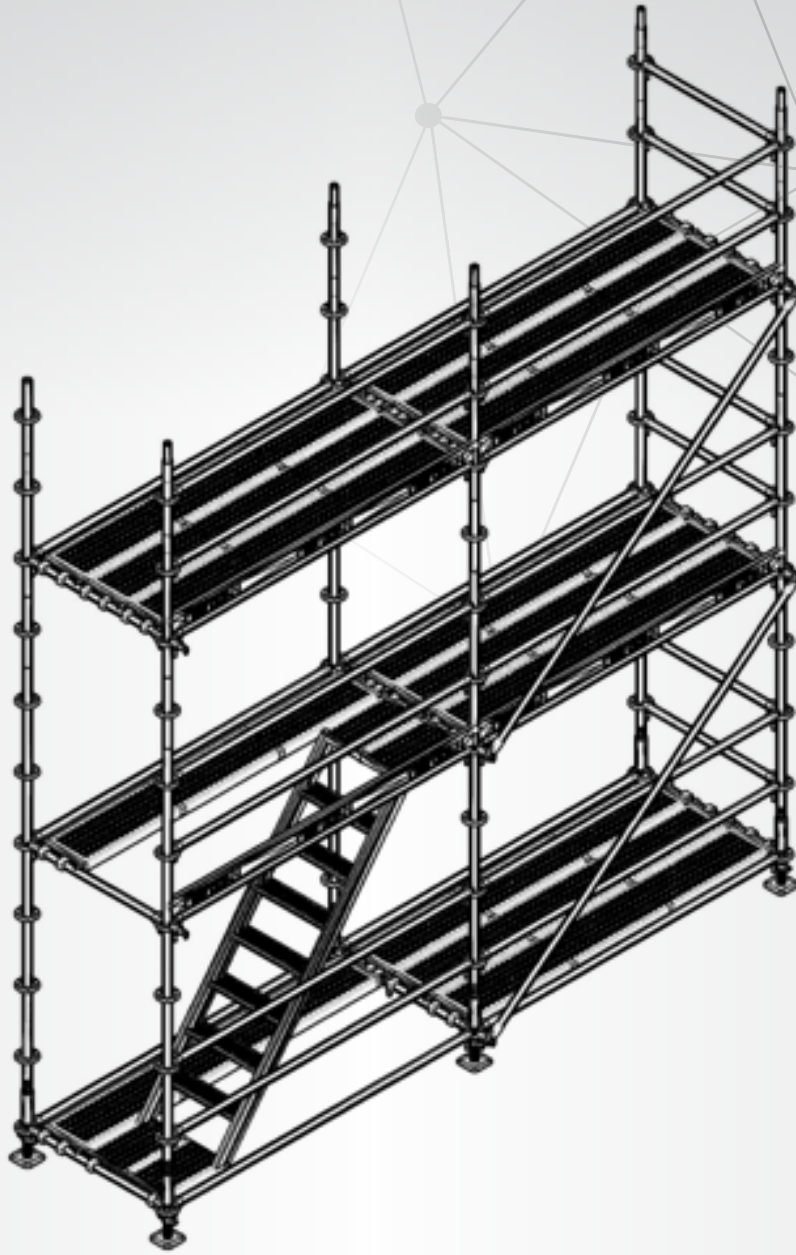


Rosette Modular Scaffolding System



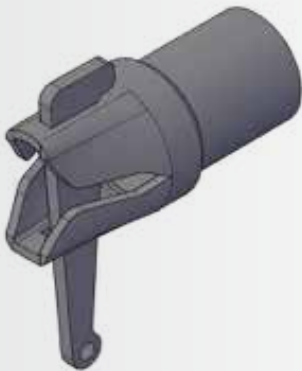
The rosette modular security scaffolding system to be used in facades, has been produced in accordance with the structural design conditions stated by the following applicable regulations: EN 12810 - 4D - SW 06/300 - H2 - A/B - LS. All the elements have been processed by hot-dip galvanization in accordance with standards stated by the EN 12811-2 regulation, and designed to resist class 4 type of load.

Types of Joints Between Vertical Posts & Horizontal Bearers

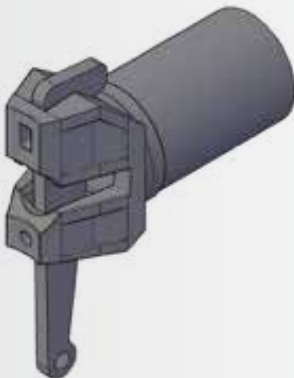
There are three different types of systems to solve the joints between the rosettes present in vertical posts and wedge heads from horizontal bearers.



Wider Open Wedge Heads are used to connect joints between rosettes with wider open holes. They are made from steel sheets with a thickness of 6 mm. These plates are first curved, then welded.



Narrow Open Wedge Heads are used to connect joints between narrow holes in rosettes that have wide openings.



Steel Cast-Made Wedge Heads are used to connect joints with rosettes with narrow holes. Welding between the steel casting piece and the tube, make the horizontal bearer stronger and safer.

Components' List

In the following pages, all different types of components that are been used to set up a rosette modular security scaffold will be shown. In order to demonstrate these components, diagrams will be shown for each element of every type, in order to define its geometric and technical features.

All our products have been produced and certified in accordance with European regulations.

All types and models shown in this catalogue are those under high demand. In case of different elements/parts required, depending on volume, we are able to provide and produce those needs for our customers.

All products are produced using S 235 JR steel and are processed by hot-dip galvanization.



Leveling Jack with Base Plate

Leveling jacks are used to set vertical posts at the same height. Their base plate has a thickness of 5 mm and its dimensions are 150 mm x 150 mm square shaped, bars are made with a tube of $\text{Ø}38 \times 4$ mm. The tube, as long as 500mm, can be adjusted to 350mm and the tubes of 750mm can be adjusted to 560mm.

Total length of the elements can vary. These measures are: 0.50 m, 0.75 m, 1.00 m, 1.20 m.

LEVELLING JACK DIMENSIONS (LJ-001)				
PART #	METRIC (mm)	IMPERIAL	WEIGHT	
			KG	LB
LJ-12A	$\text{Ø}38 \times 1200$	3,9 ft	5,4	11,88
LJ-10A	$\text{Ø}38 \times 1000$	3,3 ft	5,00	11,00
LJ-07A	$\text{Ø}38 \times 750$	2,3 ft	4,00	8,80
LJ-05A	$\text{Ø}38 \times 500$	1,6 ft	3,00	6,60



Starter Collar

Starter collars are placed above leveling jacks and work as the first joint between vertical and horizontal posts. They are used to level the scaffold system.

It has a 30cm of total length and is produced from welded tubes. The first tube has a diameter of 48mm, and thickness of 3mm. The second tube has a diameter of 60mm, and thickness of 2.5 mm. Horizontal bearers that will be described later are placed above this element in the opening formed by the 60mm tube.

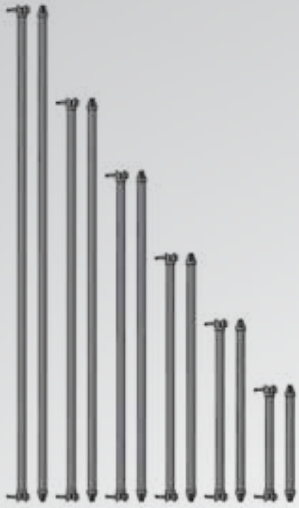
STARTER COLLAR (STR-001)				
PART #	METRIC (mm)	IMPERIAL	WEIGHT	
			KG	LB
STR-07	250	0,8 ft	1,50	3,30

Vertical Post

Vertical posts are the main elements of the rosette modular scaffolding system. They are produced from steel tubes with section of $\text{Ø}48,3 \times 3$ mm. Every vertical post has a rosette at each 50cm. Rosettes are produced from 8mm steel plates and welded in horizontal position. The tube that is used to join each bar with the upper bar is made by steel tube with section of $\text{Ø}40 \times 2.5$ mm.



VERTICAL POST DIMENSIONS (VP-001)				
PART #	METRIC (mm)	IMPERIAL	WEIGHT	
			KG	LB
VP-30	3000	9,8 ft	14,30	31,46
VP-25	2500	8,2 ft	12,00	26,40
VP-20	2000	6,6 ft	9,75	21,45
VP-15	1500	4,9 ft	7,40	16,28
VP-10	1000	3,3 ft	5,10	11,22
VP-05	500	1,6 ft	2,60	5,72



Horizontal Bearer

Horizontal bearers are used as joining elements between vertical posts. They are produced from steel tubes with sections of $\varnothing 48,3 \times 2,5 \text{ mm}$. Bar length can be 0.70 m, 1.10 m, 1.50 m, 2.00 m, 2.44 m and 3.00 m.

This type of bar can be produced with different types of wedged heads to work as a joint with rosettes. Wedged heads can be made with curved steel plates welded in two sizes or also made by steel casting.

HORIZONTAL BEARER DIMENSIONS (HB-001)				
PART #	METRIC (mm)	IMPERIAL	WEIGHT	
			KG	LB
HB-30	3000	9,8 ft	9,60	21,12
HB-24	2440	8,2 ft	8,10	17,82
HB-20	2000	6,6 ft	6,60	14,52
HB-15	1500	4,9 ft	5,10	11,22
HB-11	1100	3,3 ft	3,90	8,58
HB-07	700	2,3 ft	2,85	6,27



Shoring Brace

Shoring braces are opposed to the forces coming horizontally in the scaffolding system. They also play a role to help to set up the scaffolding. They are made from steel tubes of $\varnothing 48,3 \times 2,5 \text{ mm}$ section.

The bars are made in the following sizes: 3.75 m, 3.25 m, 2.75 m, and 2.25 m. 3.25 m bar is the most common used size.

NOTE : Every size mentioned above is referred to the total length of the bar.

SHORING BRACE DIMENSIONS (SB-001)				
PART #	METRIC (mm)	IMPERIAL	WEIGHT	
			KG	LB
SB-375	3750	12,3 ft	11,90	26,18
SB-325	3250	10,7 ft	10,70	23,54
SB-275	2750	9 ft	9,40	20,68
SB-225	2250	7,4 ft	8,10	17,82

Access Deck with Ladder

Access decks with ladders are used by workers to access other levels of the scaffolding system, and to also discharge materials. They are produced from rectangular steel profiles of $40 \times 60 \times 2 \text{ mm}$. The trapdoor direction can be changed upon request.

Their sizes are variable. The standard width is 60 cm, whilst their length can be 2.00 m, 2.50m, 3.00m, 2.50m (being the most commonly produced and used).

ACCESS DECK WITH LADDER DIMENSIONS (ADL-001)				
PART #	METRIC (mm)	IMPERIAL	WEIGHT	
			KG	LB
AD-30	600 x 3000	2 ft x 9,8 ft	41,00	90,20
AD-25	600 x 2500	2 ft x 8,2 ft	36,00	79,20
AD-20	600 x 2000	2 ft x 6,5 ft	22,00	48,40





Step Stair

Step stairs can be used by workers to access to another level within the scaffolding itself and to also discharge materials. In the rosette modular scaffolding system, it has to be used next to a steel deck in order to access other levels. Minimum use for the stairs must be equal to three steel decks. It is able to cover dimensions between 3.00 m, 2.50 m with a maximum height of 2 meters.

STEP STAIR DIMENSIONS (SS-001)				
PART #	METRIC (mm)	IMPERIAL	WEIGHT	
			KG	LB
SS-30	h2000 x 3000	h6,6 ft x 9,8 ft	41,00	90,20
SS-25	h2000 x 2500	h6,6 ft x 8,2 ft	35,00	77,00

Steel Deck

Steel decks are used to assure the workers to walk inside the scaffolding. They're manufactured by profiled steel sheet of 320 mm width and mainly thickness of 1,5 mm with a special self-made design, and is anti-slip.

They can be manufactured in the following lengths 0.70m, 1.10m, 1.50m, 2.00m, 2.50m and 3.00m, 2.50 m (being the most common size). All these types of decks can also be manufactured in different thicknesses as 1.5 mm, 1.35 mm, 1.25 mm by special request.

STEEL DECK DIMENSIONS (SD-001)				
PART #	METRIC (mm)	IMPERIAL	WEIGHT	
			KG	LB
SD-30	320 x 3000	1 ft x 9,8 ft	21,00	46,20
SD-25	320 x 2500	1 ft x 8,2 ft	17,00	37,40
SD-20	320 x 2000	1 ft x 6,5 ft	14,00	30,80
SD-15	320 x 1500	1 ft x 4,9 ft	11,00	24,20
SD-11	320 x 1100	1 ft x 3,3 ft	7,00	15,40
SD-07	320 x 700	1 ft x 2,3 ft	5,00	11,00

Board Bracket

Board brackets are used to create an additional working place in the spaces under cornices of buildings. They are manufactured from steel tubes with a section of Ø48 mm diameter and a thickness of 3mm.

Their width can be 0.70m, 1.10m, 1.50m in order to set different types of space needed, and can be manufactured upon customers' request.

BOARD BRACKET DIMENSIONS (BB-001)				
PART #	METRIC (mm)	IMPERIAL	WEIGHT	
			KG	LB
BB-15	1500	4,9 ft	12,30	27,06
BB-11	1100	3,3 ft	9,50	20,90
BB-07	700	2,3 ft	6,20	13,64



Toe Board

Is a panel located at foot height that is used to avoid materials and tools to fall off from decks. They are manufactured from steel plates with 1,50 mm thickness.

They can be manufactured as the same lengths as steel decks that 0.70m, 1.10m, 1.50m, 2.00m, 2.50m and 3.00 m, 2.50 m (being the most common size).

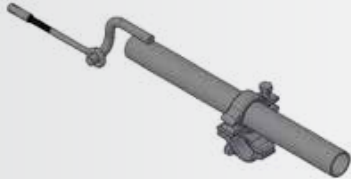


TOE BOARD DIMENSIONS (TB-001)				
PART #	METRIC (mm)	IMPERIAL	WEIGHT	
			KG	LB
TB-30	3000	9,8 ft	7,20	15,84
TB-25	2500	8,2 ft	6,00	13,20
TB-20	2000	6,6 ft	4,80	10,56
TB-15	1500	4,9 ft	3,60	7,92
TB-11	1100	3,3 ft	2,60	5,72
TB-07	700	2,3 ft	2,00	4,40

Wall Mount Bracket

This element is used to anchor the scaffolding system to the walls of buildings. They are manufactured from steel tubes with section of Ø48,3 x 3,2 mm with a clamp at its end.

To be able to make the connection possible, their bolts have to be screwed into the wall. The distance between the scaffolding and the wall can be adjusted by the clamp and the tube, that has a length of 50 cm.



WALL MOUNT BRACKET DIMENSIONS (WMB-001)				
PART #	METRIC (mm)	IMPERIAL	WEIGHT	
			KG	LB
WMB-10	1000	3,3 ft	3,85	8,47
WMB-08	800	2,6 ft	3,10	6,82
WMB-06	600	2 ft	2,45	5,39
WMB-04	400	1,3 ft	1,70	3,74

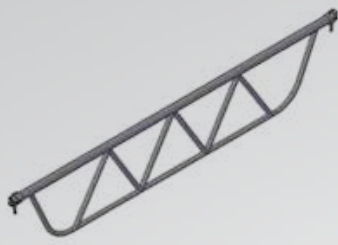
Wall Mount Pipe Clamp

Used to anchor the scaffolding system to the walls of buildings. They are manufactured from steel threaded rods with a diameter of 12mm and at their end is a bolt that helps to increase the anchorage of the scaffolding to the wall.

It allows a range of adjustment to 1.00 m from 0.50 m thanks to its threaded rod. The most common distance of use is 50 cm.



WALL MOUNT PIPE CLAMP DIMENSIONS (WMP-001)				
PART #	METRIC (mm)	IMPERIAL	WEIGHT	
			KG	LB
WMP-10	1000	3,3 ft	3,00	6,60
WMP-07	700	2,3 ft	2,50	5,50
WMP-05	500	1,6 ft	2,00	4,40



Truss Bearer

Is a horizontal bearer that has a reinforcement with a jalousie shape at the lower part to increase the flexible resistance in order to be used with more weight.

Their main use is to cover distances that cannot be covered by a scaffolding setting in certain areas in order to be able to make bridges and wider platforms.

It's manufactured in a few sizes but the most common is 2.50m.

TRUSS BEARER DIMENSIONS (TB-001)				
PART #	METRIC (mm)	IMPERIAL	WEIGHT	
			KG	LB
TB-25	2500	8,2 ft	58,00	127,60

Double Truss Bearer

Is formed by horizontal bearers. They are separated by 50 centimeters in the vertical direction and are joined together with a truss formed of bars in order to handle much higher loads.

They are used to make porticos, suspended scaffoldings, and all other kind of jobs on roofs and building covers.

The most common used dimension is 2.50 m but it can be manufactured according to customers' request.



DOUBLE TRUSS BEARER DIMENSIONS (DTB-001)				
PART #	METRIC (mm)	IMPERIAL	WEIGHT	
			KG	LB
DTB-50	5000	16,4 ft	133,00	292,60
DTB-25	2500	8,2 ft	66,50	146,30

Head Spindle "U"

Are upper adjustment bars used to set the surfaces above them for the same height. They are used normally to support the formworks used to make slabs.

The U is manufactured with a plate of thickness 5 mm and width of 100 mm, its base is 125 mm and wings 40 mm.

The bar is made with tube of Ø38*4 mm. The length of the whole piece are standards of 0.50 m, 0.75 m, 1.00 m.



HEAD SPINDLE "U" DIMENSIONS (HS-001)				
PART #	METRIC (mm)	IMPERIAL	WEIGHT	
			KG	LB
HSU-10A	Ø38 x 1000	3,3 ft	5,00	11,00
HSU-07A	Ø38 x 750	2,3 ft	4,00	8,80
HSU-05A	Ø38 x 500	1,6 ft	3,00	6,60

Head Spindle "T"

Are upper adjustment bars used to set the surfaces above them for the same height. They are used normally to support the formworks used to make slabs. The upper T is manufactured by 5 mm steel plate and its width 250 mm, where it's base is 125 mm and wings are 40 mm.

The bar is made with tube of $\varnothing 38 \times 4$ mm. The length of the whole piece are standards of 0.50 m, 0.75 m, 1.00 m.



HEAD SPINDLE "T" DIMENSIONS (HS-001)				
PART #	METRIC (mm)	IMPERIAL	WEIGHT	
			KG	LB
HST-10A	$\varnothing 38 \times 1000$	3,3 ft	5,00	11,00
HST-07A	$\varnothing 38 \times 750$	2,3 ft	4,00	8,80
HST-05A	$\varnothing 38 \times 500$	1,6 ft	3,00	6,60

Four-Way Head Spindle

Are upper adjustment bars used to set the surfaces above them at the same height. They are used normally to support the formworks used to make slabs.

The base plate is manufactured with a plate 5 mm thick, 260 mm width and 175 mm length. L shaped profiles that are welded at the corners are 190 mm height, and the L is formed by wings 40 mm long and 4 mm thickness.

The bar is made with tube of $\varnothing 38 \times 4$ mm. The length of the whole piece are standards of 0.50 m, 0.75 m, 1.00 m.



HEAD SPINDLE "Four way" DIMENSIONS (HS-001)				
PART #	METRIC (mm)	IMPERIAL	WEIGHT	
			KG	LB
HS4-10A	$\varnothing 38 \times 1000$	3,3 ft	5,00	11,00
HS4-07A	$\varnothing 38 \times 750$	2,3 ft	4,00	8,80
HS4-05A	$\varnothing 38 \times 500$	1,6 ft	3,00	6,60